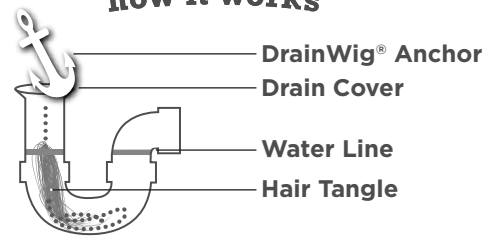




DRAINWIG® HAIR CATCHER FOR BATHTUBS

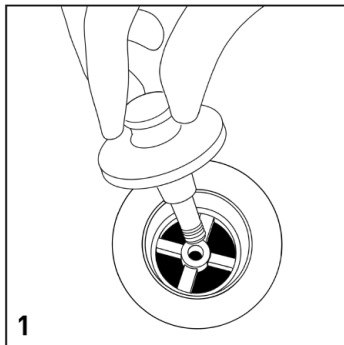
how it works



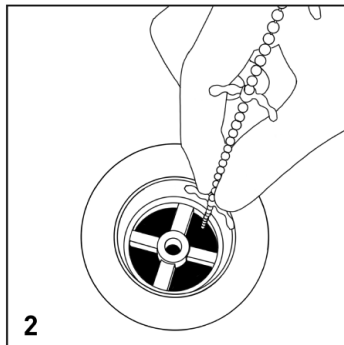
INSTALLATION:

FIRST TIME USE: EXISTING HAIR OR CLOG MUST BE REMOVED FROM DRAIN FOR DRAINWIG® HAIR CATCHER TO WORK PROPERLY.
NOTE: IF USING A LIQUID DRAIN CLEANER FOLLOW THE RECOMMENDED INSTRUCTIONS. BE SURE TO THOROUGHLY FLUSH OUT PIPE WITH RUNNING WATER BEFORE INSTALLING YOUR DRAINWIG® HAIR CATCHER.

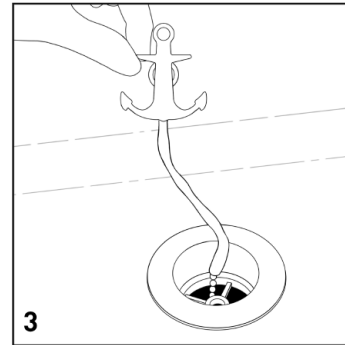
TWIST AND CLOSE OR PUSH PULL STOPPER DRAIN INSTALLATIONS:



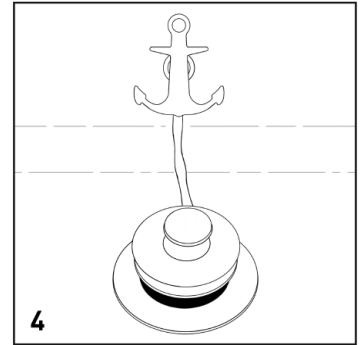
- CLEAR EXISTING CLOG
- REMOVE DRAIN STOPPER



- INSERT CHAIN, GUIDING RUBBER WHISKERS THROUGH CROSSBAR
- TURN ON WATER AND CHAIN WILL FLOW INTO PLACE

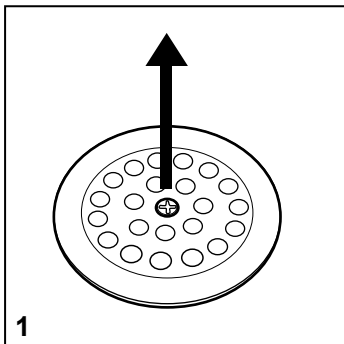


- ATTACH SUCTION CUP TO BATHTUB
- REPLACE STOPPER

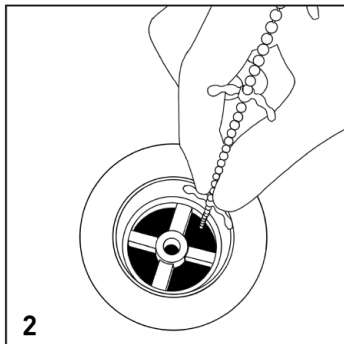


- LEAVE IN DRAIN TO CATCH HAIR
- REMOVE AND REPLACE AS NEEDED (TYPICALLY 2-4 MONTHS).

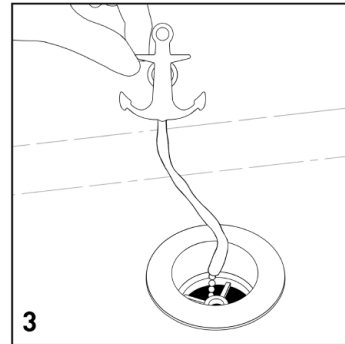
TRIP LEVER DRAIN INSTALLATION:



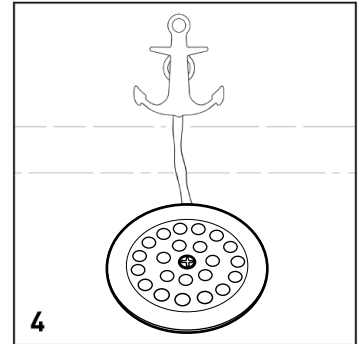
- CLEAR EXISTING CLOG
- REMOVE SCREW LOCATED IN CENTER OF DRAIN CAP.



- REMOVE DRAIN CAP.
- INSERT CHAIN, GUIDING RUBBER WHISKERS THROUGH CROSSBAR.
- TURN ON WATER AND CHAIN WILL FLOW INTO PLACE



- ATTACH SUCTION CUP TO BATHTUB
- REPLACE STOPPER



- REPLACE DRAIN CAP AND TIGHTEN SCREW.
- LEAVE IN DRAIN TO CATCH HAIR
- REMOVE AND REPLACE AS NEEDED (TYPICALLY 2-4 MONTHS).

NOW YOU CAN LET YOUR HAIR DOWN, YOUR DRAINS ARE PROTECTED!

HELPFUL HINTS:

WHEN WATER STARTS TO DRAIN SLOWLY, THE DRAINWIG® HAIR CATCHER NEEDS TO BE REPLACED

WARNING: KEEP OUT OF REACH OF CHILDREN. THIS PRODUCT IS NOT A TOY.
USE THIS PRODUCT ONLY AS INTENDED.

Drainwig is a registered trademark of Washroom Decor, LLC
© 2015 APG
All Rights Reserved.
US Patent # 8910322 & Other Pat. Pending.
Made in China